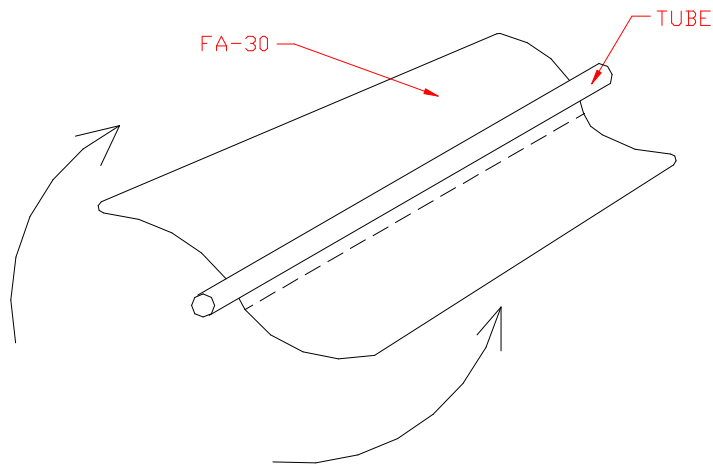


## Strut Fairing Installation

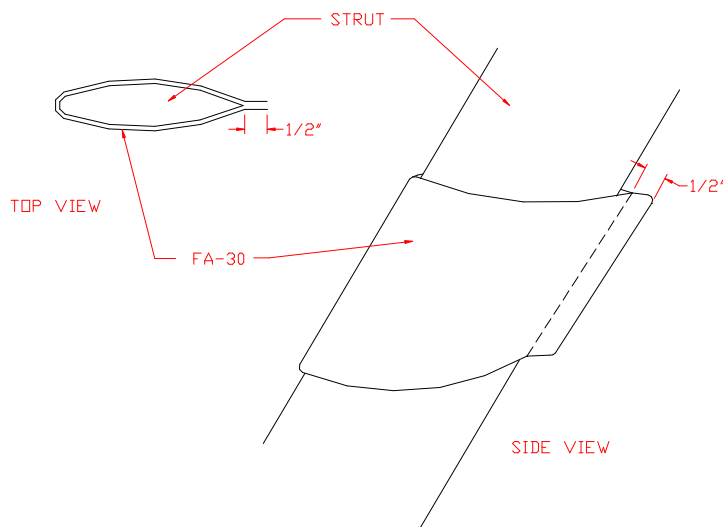
### 25.1 Bending and Trimming

- 1) Use the two templates provided and cut out two Inboard and two Outboard Wing Strut Fairings. Debur any rough edges. Mark on each of the Fairings either Inboard or Outboard.
- 2) Mark the center bend lines on each Fairing.
- 3) Using a piece of tubing, bend one Inboard Fairing inwards and one Inboard Fairing outwards. This will make one right side and one left side Fairing. Repeat for the two Outboard Fairings. Figure 25.1.1.



**Figure 25.1.1**

- 4) Take one Outboard Fairing and wrap it tightly around the Wing Strut. Find where it meets the trailing edge of the Strut and break the two ends (approx.  $\frac{1}{2}$ "") for the rivet holes. Figure 25.1.2.



**Figure 25.1.2**

- 5) Clamp the Fairing to the Strut using two clamps. Shift the Fairing slightly to get a good fit with the Wing. If trimming of top of Fairing is necessary to fit to Wing trim it now.

- 6) When a good fit to the Wing and a snug fit around the Strut is attained, mark two holes with a 1/4" edge distance at the top and bottom in flange of the Fairing. Drill #40 holes. If the bottom of the Fairing is slightly crooked remove it now and trim. Replace Fairing and cleco. Figure 25.1.3.

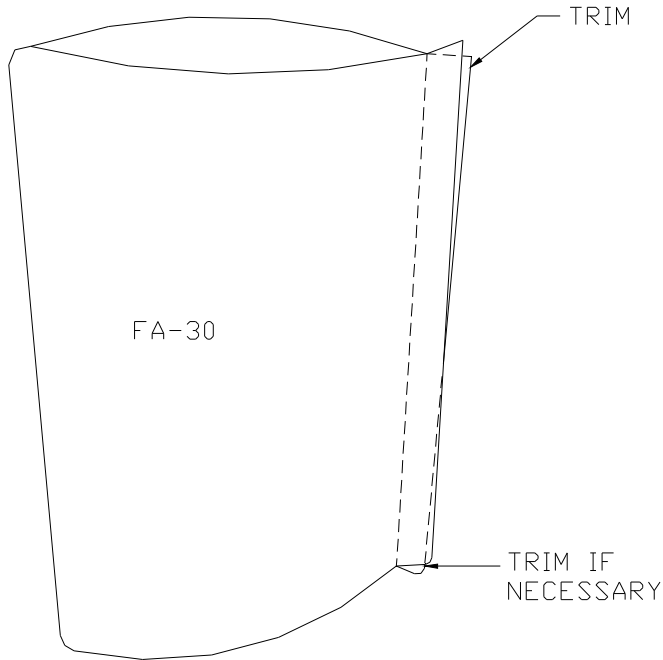


Figure 25.1.3

- 7) Mark two more holes equal distance between the existing holes and drill #40. Deburr and rivet (RV-1410) together.
- 8) Slide the Fairing snug up against the Wing making sure it is tight against the Leading Edge side of the Strut. Drill two #32 tap drill holes on opposite sides of the lower end of the Fairing and put in two sheet metal screws. Figure 25.1.4.

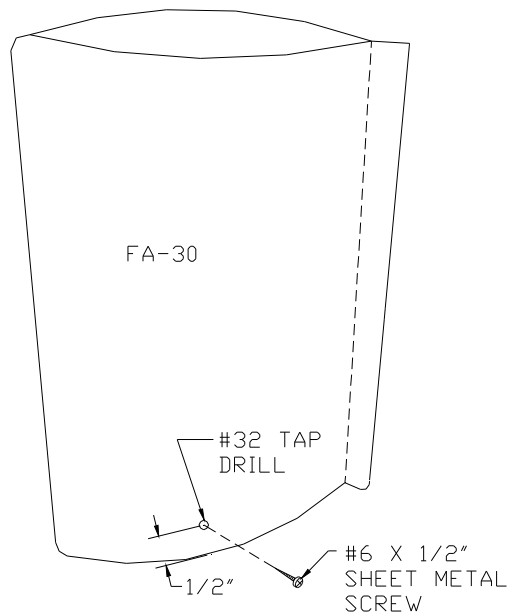


Figure 25.1.4