

Service Bulletin : November 2, 2004

Elite Elevator Horn Attachment

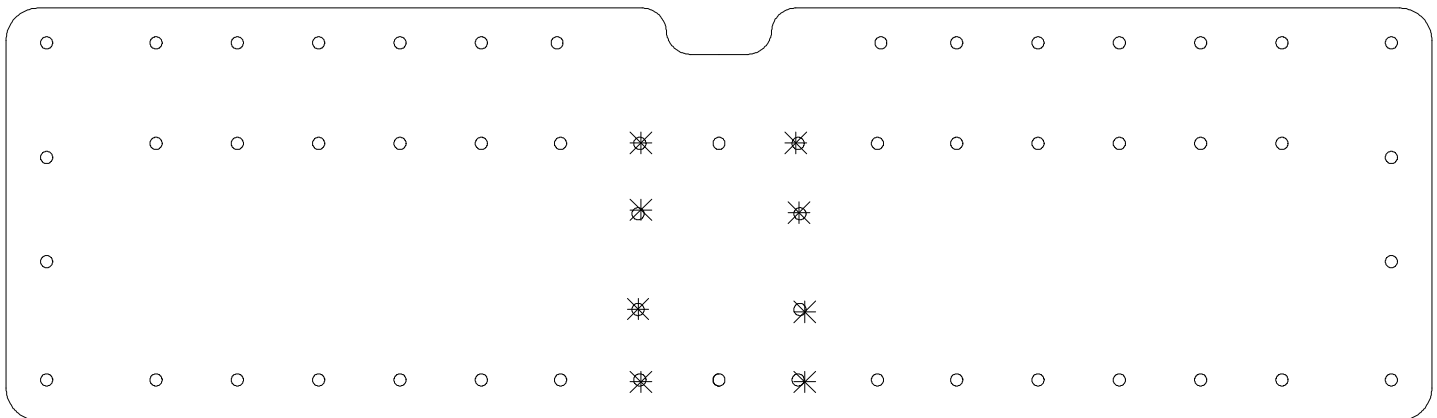
Urgency: High

Please note: The following illustrations are of a Super Rebel / Moose elevator and are for reference only. Some Elite's have shown minor flexing problems of the elevator horn to main spar attachment area. The area of concern has shown either little or no cracking. The following modification must be incorporated into the elevator

- 1) Remove rivets indicated top and bottom of ELEVATOR CENTER GUSSETS (EL-305) as in Fig 1

FIGURE : 1

EL-305 ELEVATOR GUSSET



REMOVE THE 8 RIVETS INDICATED WITH THE "*"

- 2) Locate horn doubler blank (EL-413) and trim to match horn as in Fig.2. You will make one left and one right horn doubler for each side of the elevator. Radius out and smooth all angles and edges to produce a finished component.
- 3) Using a hole finder or tracing, transfer holes in elevator gussets to flanges of elevator horn doubler. Cleco in place.
- 4) Carefully drill through 1/4" hole in horn into horn doublers to allow installation of cable pick up bolt.
- 5) At locations indicated in Fig 3(a). Drill # 11 hole in all doublers and horns.
- 6) Deburr and rivet horn doublers to elevator with RV-1410 rivets, and to horn with RV-1613 rivets.
- 7) See figures, 3 ,3a , 3b.

FIGURE: 2

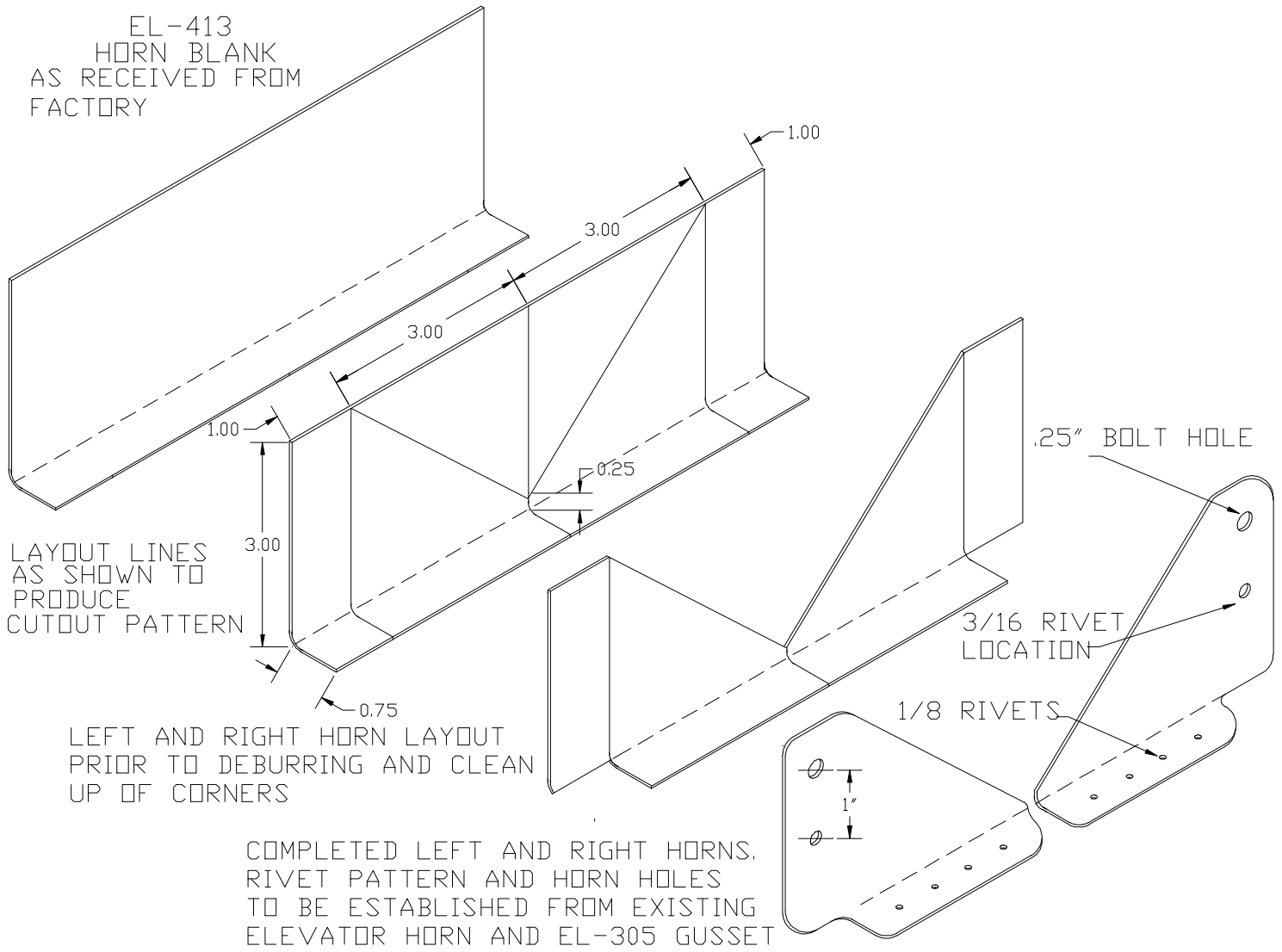


Figure: 3

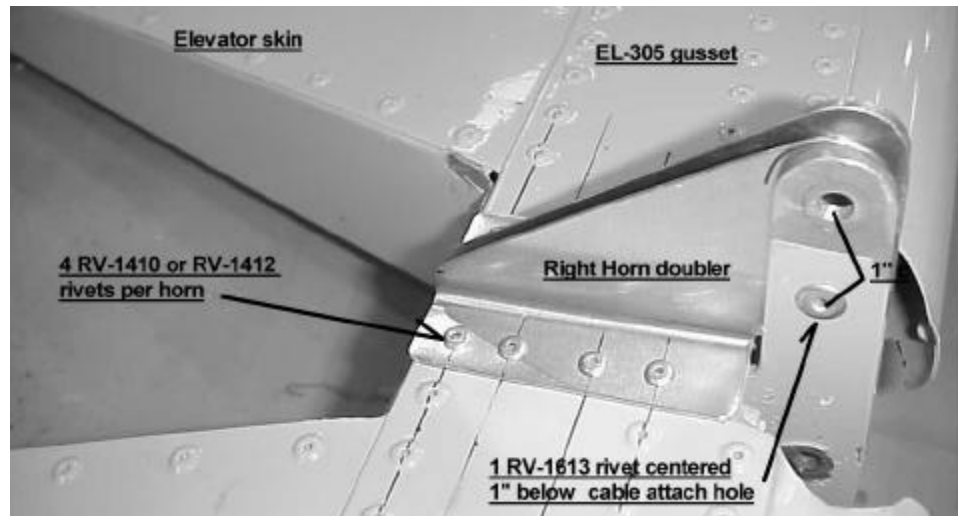


Figure: 3(a)

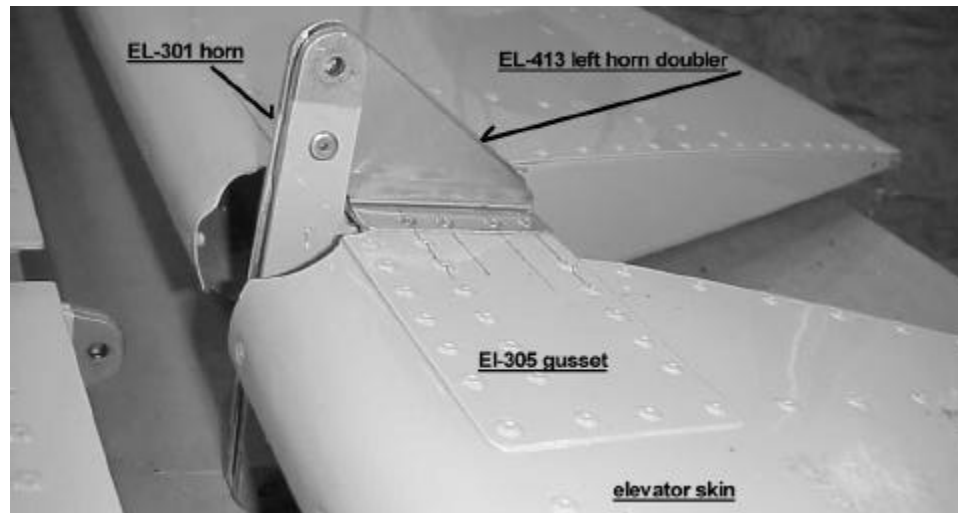


Figure:3 (b)

