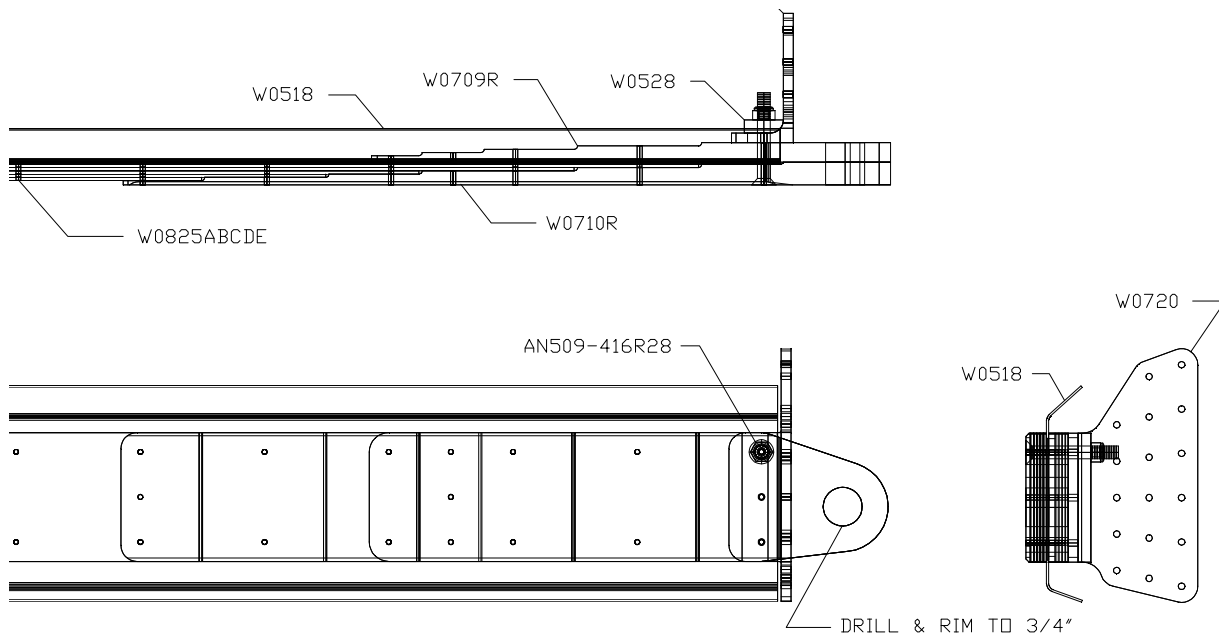


Fig. 6.3.4

With AN509-416R28 and AN4-15A, connect the Radius Shim (W0528), Root Attach Bracket (W0720) and the three Front Attach Brackets (W0709R) to the Spar and other Front Attach Brackets (W0710R). Figure 6.3.5. Refer Fig. 6.3.6 for bolts map.



RIGHT WING FRONT ATTACH

Fig. 6.3.5