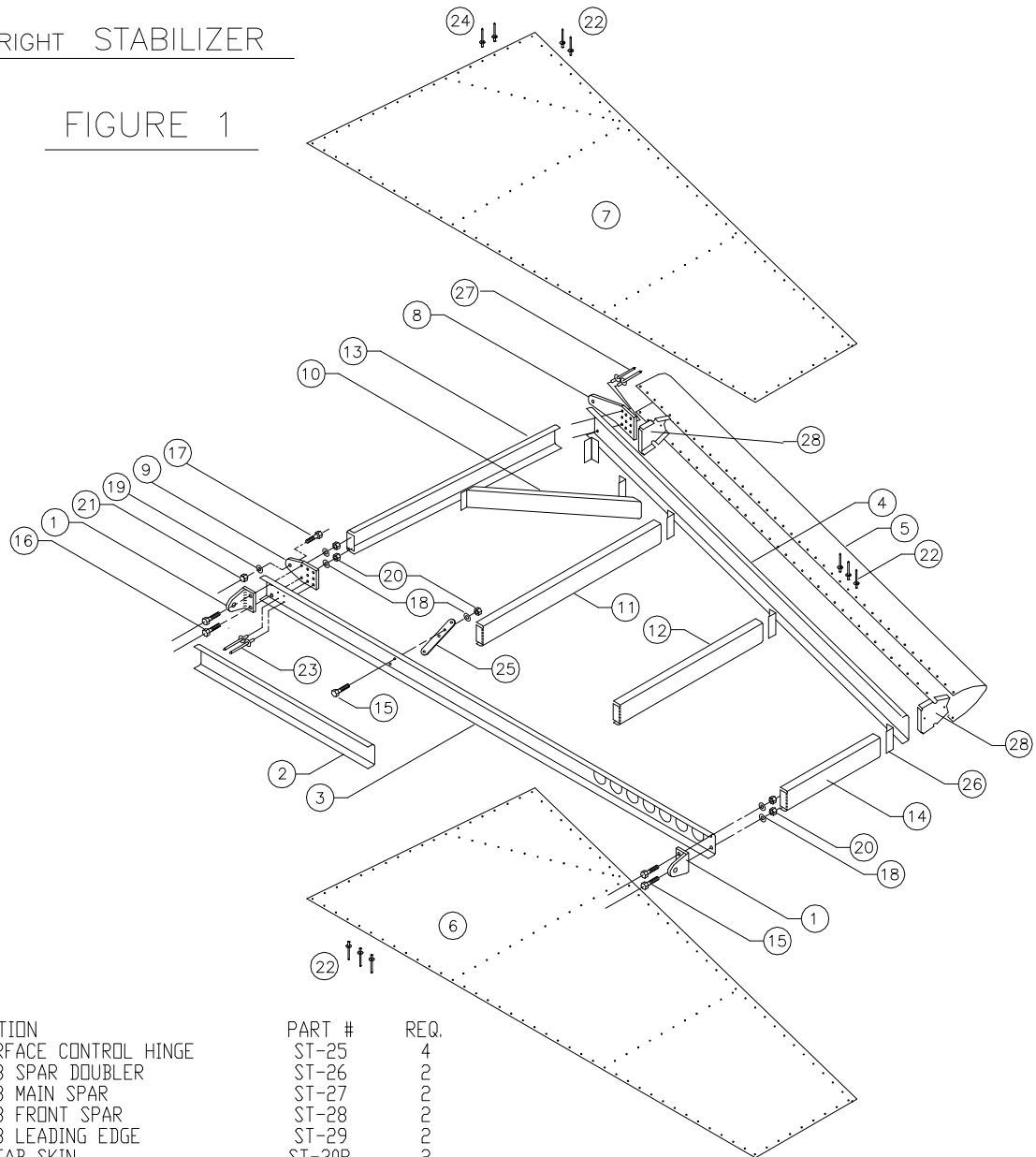


RIGHT STABILIZER

FIGURE 1



ITEM #	DESCRIPTION	PART #	REQ.
1	TAIL SURFACE CONTROL HINGE	ST-25	4
2	FIN-STAB SPAR DOUBLER	ST-26	2
3	FIN-STAB MAIN SPAR	ST-27	2
4	FIN-STAB FRONT SPAR	ST-28	2
5	FIN-STAB LEADING EDGE	ST-29	2
6	RIGHT STAB SKIN	ST-30R	2
7	LEFT STAB SKIN	ST-30L	2
8	FRONT STAB ATTACH BRACKET	ST-32	2
9	REAR STAB ATTACH BRACKET	ST-38	2
10	RIB (Customer makes from ST-31)	ST-33	2
11	RIB (Customer makes from ST-31)	ST-34	2
12	RIB (Customer makes from ST-31)	ST-35	2
13	RIB (Customer makes from ST-31)	ST-36	2
14	RIB (Customer makes from ST-31)	ST-37	2
15	3/16" BOLT	AN3-5A	10
16	3/16" BOLT	AN3-6A	4
17	1/4" BOLT	AN4-5A	2
18	3/16" WASHERS	AN960-10	14
19	1/4" WASHERS	AN960-416	2
20	3/16" FIBER NUT	AN365-1032	14
21	1/4" FIBER NUT	AN365-428	2
22	1/8" X 3/16" AVEX RIVET	RV-1410	520
23	3/16" X 3/8" AVEX RIVET	RV-1619	12
24	1/8" X 3/16" CS AVEX RIVET	RV-4412	80
25	STRUT ATTACH BRACKET	ST-39	2
26	ANGLE STC. MAT. (3/4" X 1 1/2" X .020)	ST-40	
27	3/16" X 1/4" AVEX RIVET	RV-1613	9
28	STAB LEADING EDGE RIB	FIN-35	2