

- 20) Install the W0551A & B fittings and pin.
- 21) Bolt the strut in place. Figure 14.1.8. Drill through the 3/16" holes and pin temporarily with AN3 bolts.
- 22) Drill the 3/16" holes one at a time to their final size of 1/4" and install an AN4-21A bolt.
- 23) Then disassemble, debur, clean, chromate, reassemble with an AN960-416 washer under an AN365-428 nut. Figure 14.1.8.

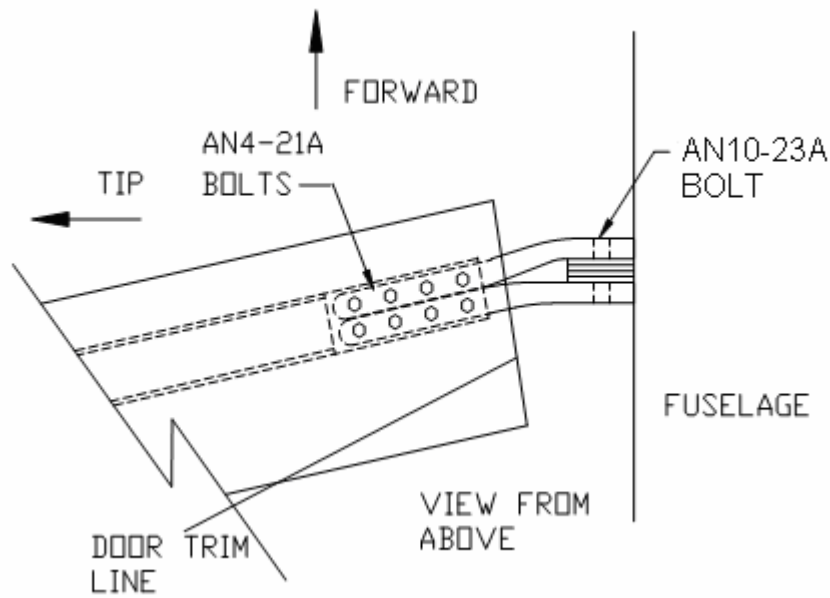


Fig. 14.1.8

- 24) Bolt the struts to the wing and fuselage using AN10-23A bolts, AN960-1016 washers and MS21044-N10 nuts.

NOTE: Before installing your wing permanently. You will have to trim the bottom aft edge of the Strut Extrusion which will allow you to open the door further and install W0622 Front Wing Attach Spacers.

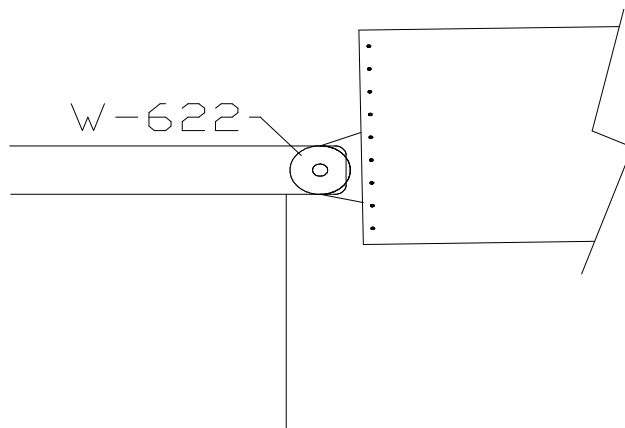


Fig. 14.1.9